

SECTION A



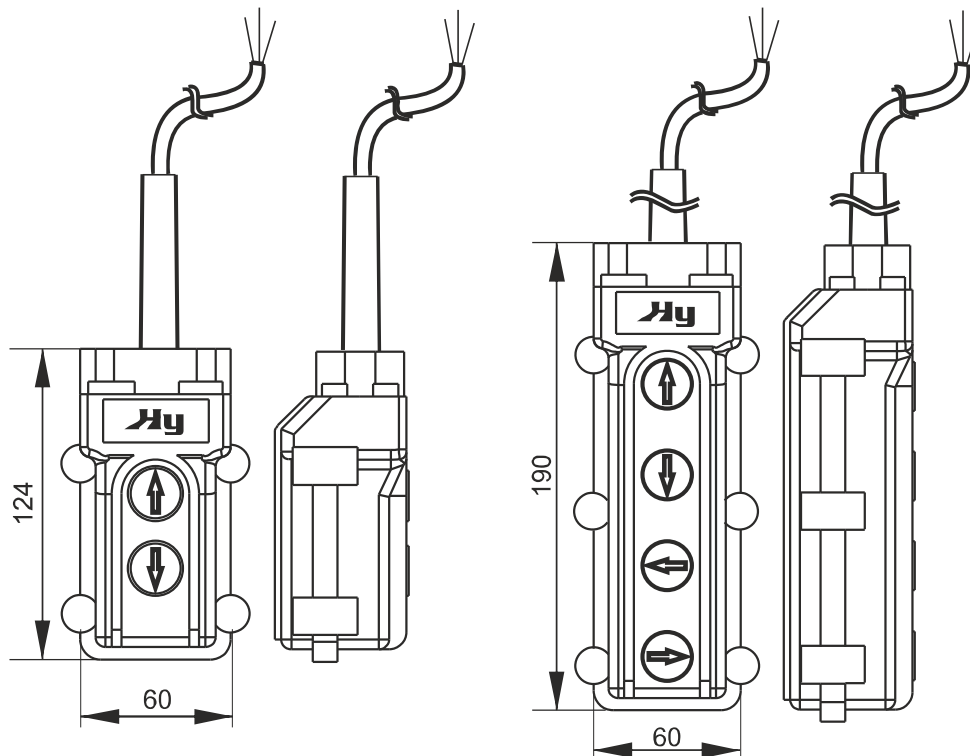
Wired remote control

Weight: 0,60 kg

Protection degree: IP65

Max Current @ Voltage:

2A@400VAC; 5A@220VAC/24VDC/12VDC



Description	Spare part code
Wired remote control with 2 buttons single/double acting	P0201
Wired remote control with 4 buttons double acting	P0202