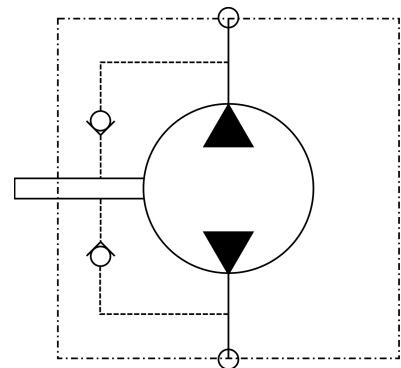


Part Number: 1320364  
 Model Code: G1116C1A300N00

## Product Capabilities

Displacements	0.258in. <sup>3</sup> /4.23 cc
Max. Pressure	2300 psi/159 Bar
Code - Relief Valve Setting	00 - No Relief
Flow @ 1800 rpm	2.00 gpm/7.61 lpm
Flow @ 3600 rpm	4.00 gpm/15.22 lpm
Max. Speed	4000 rpm
Max. Operating Temperature	93°C, 200°F
Code - Rotation Options	3 - Birotational

## Hydraulic schematic



Concentric Rockford Inc.  
 2222 15th Street Rockford, IL 61104  
 Tel: 1-815-398-4400  
[www.concentricab.com](http://www.concentricab.com)  
 E-mail: [info.usro@concentricab.com](mailto:info.usro@concentricab.com)

The information on this PDF datasheet and any associated models or drawings from the Concentric Hydraulic Product Configurator are for reference only. Concentric will not accept any responsibility for misapplications and reserves the right to modify its products without prior notice. Concentric does not accept responsibility or warranty products without prior application approval from Concentric engineering.

## Fluids

Most premium grade petroleum base fluids can be used with GC pumps. Optimum operating viscosity is 16-63 cSt (80-288 SSU) at maximum rated speed. Minimum operating viscosity is 10 cSt (59 SSU). Maximum operating viscosity is 750 cSt (3409 SSU). Maximum cold start viscosity is 2000 cSt (9091 SSU). Contact Concentric for additional information regarding GC performance using other fluids.

## Filtration

Proper filtration is critical to the trouble free operating of any hydraulic system. For optimum pump life at maximum pressure ISO Code 18/14 filtration is recommended. A 10-micron filter sized to accommodate full system return flow is recommended for most operating environments.

## Ports

Gear Size	SAE Port Size	
	Uni-rotation (Bi-Rotational)	
Order Code	Low Pressure Port (Inlet)	High Pressure Port (Outlet)
04 & 06	9/16"-18 (9/16"-18)	9/16"-18 (9/16"-18)
08, 12 & 16	3/4"-16 (3/4"-16)	9/16"-18 (3/4"-16)
20, 24, 28 & 32	7/8"-14 (7/8"-14)	3/4"-16 (7/8"-14)
36, 40 & 44*	7/8"-14 (7/8"-14)	7/8"-14 (7/8"-14)

\* For gear codes 36, 40 & 44, 1" diameter beaded inlet tube must be used for speeds above 2400 rpm.

## Operating temperature

Fluid temperature range (Mineral Oil): Max. 93oC (200oF) continuous and Max. 105oC (221oF) intermittent.

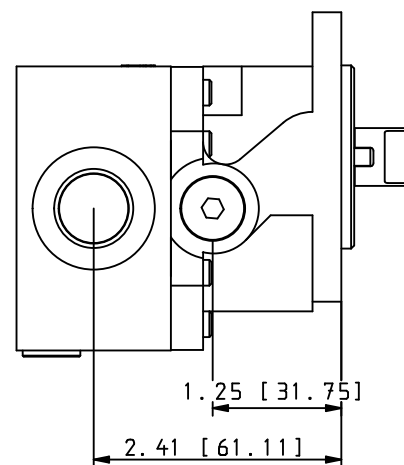
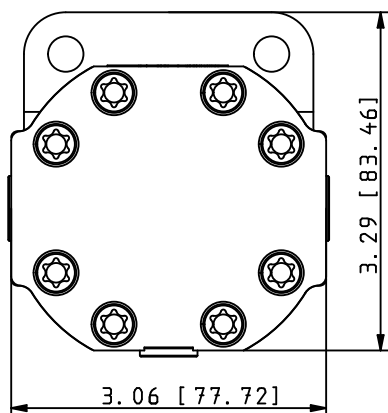
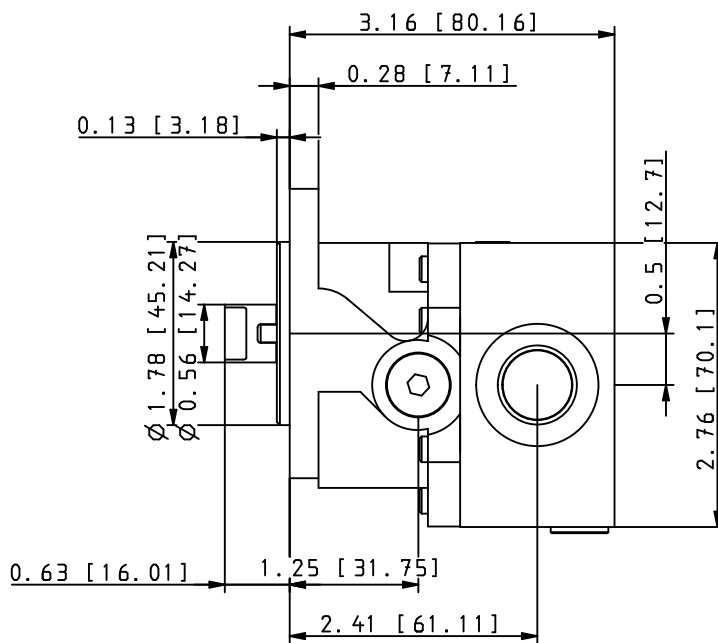
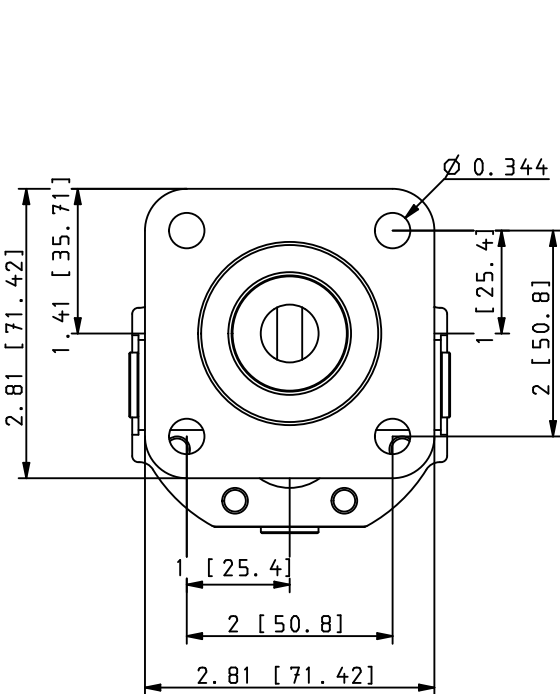
## Inlet/Case Drain conditions

To insure that the performance capabilities of the shaft seals are not exceeded, use the chart below. For pumps without a case drain the inlet pressure cannot exceed the values below. For pumps with a case drain the case drain pressure cannot exceed the values below.

Seal Selected	Max. seal pressure
Standard Buna	10 psi (0.7 Bar)
Standard Viton	10 psi (0.7 Bar)
High Pressure Viton	25 psi (1.7 Bar) @ 3000 rpm, 38 psi (2.6 Bar) @ 2000rpm

Concentric Rockford Inc.  
 2222 15th Street Rockford, IL 61104  
 Tel: 1-815-398-4400  
 www.concentricab.com  
 E-mail: info.usro@concentricab.com

The information on this PDF datasheet and any associated models or drawings from the Concentric Hydraulic Product Configurator are for reference only. Concentric will not accept any responsibility for misapplications and reserves the right to modify its products without prior notice. Concentric does not accept responsibility or warranty products without prior application approval from Concentric engineering.



Part Number	1320364
Model Code	G1116C1A300N00
Mounting Flange Options	1 - 4-Bolt w/1.78" Pilot
Shaft Options	1 - 0.171" Tang w/ Short Coupling (.5" long) (For DC motors)
Gear Size Width	16 - 0.500 (INCH)
Displacement	0.258 (4.23) (Cu. In./Rev. (cc))
Valve Options	C - Direction Checks
Seals & Bearings Options	1 - Single Lip Buna-N Low Pressure Seal
Port Location Options	A - SAE Side Ports
Code - Rotation Options	3 - Birotational
Code - Relief Valve Setting	00 - No Relief
Solenoid Valve Location	N - No Solenoid Valve
Solenoid Valve Voltage	00 - No Solenoid Valve Cavity