

1 Function with Standard Transmitter

SYSTEM PART NUMBER

92101 2 Function Receiver, No Master + 1 Function Standard Transmitter

CONTENTS

1 x Receiver
 1 x Standard Transmitter
 1 x Lanyard
 1 x Cover
 1 x Instructions



REPLACEMENT TRANSMITTER

92102TX - 2 Function Standard Transmitter

REPLACEMENT RECEIVER

9200RX - 2 Function Receiver – No Master

TRANSMITTER SPECIFICATION

ENCLOSURE

Material Glass reinforced Nylon
 Switch Type 12mm Dome Switch
 Functions 1
 Identification Pockets for printed text or image insertion

RF

Modulation 2-GFSK. Gaussian Frequency Shift Keying
 Frequency 433.050 MHz to 434.790 MHz
 Channels 1
 Channel Selection Fixed
 Technology Hand-held Transmitter
 Temperature Range -10^o C to + 40^o C (13^o F to + 104^o F). Use Lithium for lower temperatures
 Range 60m (200ft)
 Aerial Internal – printed on PCB
 Transmitted power 1mW Typical

POWER

Batteries 1x 9V Alkaline Manganese
 Quiescent Current 15µA
 Current Transmitting 20mA

PROTECTION

IP Rating 54
 Registration codes Over 16 million

INDICATOR

Type 1 x Red LED
 Off Transmitter is OFF and in standby mode
 Slow flash Transmitter is ON and ready for use (The SET Button has been pressed and released)
 On Transmitting (A STOP, SET or Function Button is being pressed)
 Fast flash Transmitting – Indication that the battery will need replacing soon

COMPLIANCE

FCC FCC CFR 47-part 15.231
 433.9MHz

IC ISED RSS-210 Issue 8
 433.9MHz

RoHS Directive 2011/65/EU

RECEIVER SPECIFICATION

KEYPAD

Back up Control

Works independently from the Transmitter

Security coding available as an option

ELECTRICAL

Voltage Nominal
Voltage Min/Max
Switch Type

12/24V DC
8 to 36V DC
MOSFET (Positive Switching)

RF

Modulation
Frequency

Channels
Channel Selection

Technology

Temperature Range
Range

2-GFSK. Gaussian Frequency Shift Keying
433.050 MHz to 434.790 MHz
902.025 MHz– 927.975 MHz
32
Fixed
Channel hopping
Fixed Receiver
-40^o C to + 70^o C (-40^o F to + 158^o F)
60m (200ft)

CURRENT CAPACITY

FET Rating
System Rating
Quiescent Current
Overload Protection

10A
10A
31mA 12V/ 17mA 24V on Standby (Not SET)
10A (Auto Shutdown)

AERIAL

Internal Antenna
External Antenna

Yes Supplied and fitted
Optional AC9860/ AC9861/ AC9862/ AC9863 & AC9869 – order separately

OUTPUTS

Master
Function

No
2 Supply to Receiver is switched

CONFIGURATION

RS232 Programming
to users' requirements

Yes For programming interlocks, push/push latch, parallel master inhibit, timeout, channel timeout delay, master on delay, radio button de-latching and output allocation.

PERFORMANCE

Simultaneous Outputs
Instant TX response

Yes Programable (Modify through configuration)
Yes Programable (Modify through configuration)

DIAGNOSTICS

LED's

Yes Confirm 5 Volts, SET, Fault and all Outputs.

PROTECTION

Back EMF
Registration codes
STOP Connection

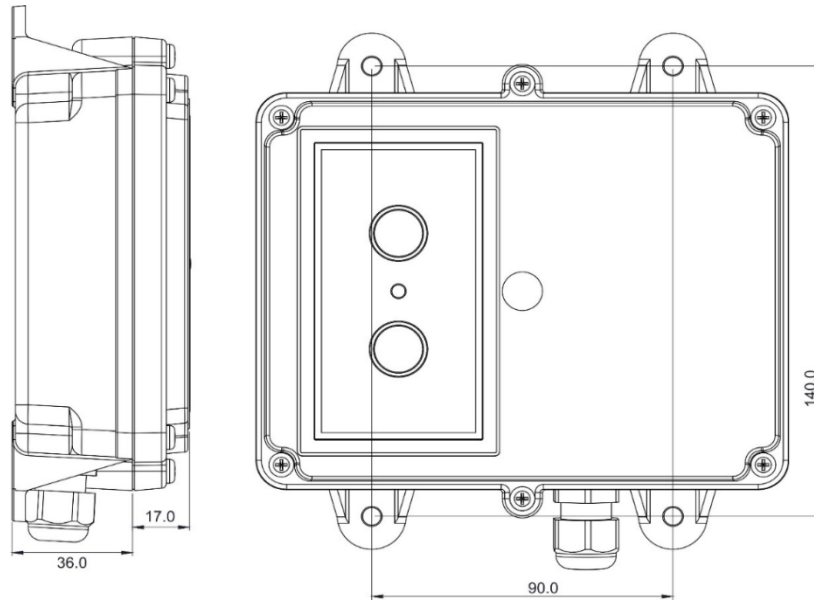
Yes Diode protection on all outputs
Yes Over 16 million
Yes Internal Emergency Stop Connection

WIRING

Wiring Loom
Cable Gland
Connections

Yes 3 metres (10ft) supplied and fitted
Yes Supplied and fitted
Screw terminal into plug and socket on PCB, for easy "swap out"

ENCLOSURE



Weight 0.3 lbs (335gms)
 Lid Clear PC/FR V0 and UV stabilised
 Base Black PC V0 and UV stabilised
 Breather Gortex fitted in base
 Mounting 4 external lugs
 Fixings 5mm (3/16") not supplied
 IP Rating IP55

92 Series			92000	92002	92004	92101	92102	92104
BUILD SPECIFICATION TABLE FOR MODELS IN THIS RANGE								
Ident	Legend	Connection						
	+ - F1 F2	Positive, Negative, F1 and F2	S	S	S	S	S	S
	F3 F4 M	F3, F4, and Master		M	S		M	S
	ST -	STOP and -		S	S		S	S
	S+ S-	S+ S-		S	S		S	S
	ANT	Internal Antenna	S	S	S	S	S	S
	SMA	Connector (external antenna)		S	S		S	S
LK1	P	Master - Parallel		C	C		C	C
LK2	C	Master – Continuous		C	C		C	C
LK3	RS232	RS232		S	S		S	S
		3 metres 4 core	S			S		
		3 metres 7 core		S	S		S	S
		9801 Lo-Cover				S	S	S

S = Standard. M = Standard but Master only connected. C = Customer configured (see “Factory Settings”).

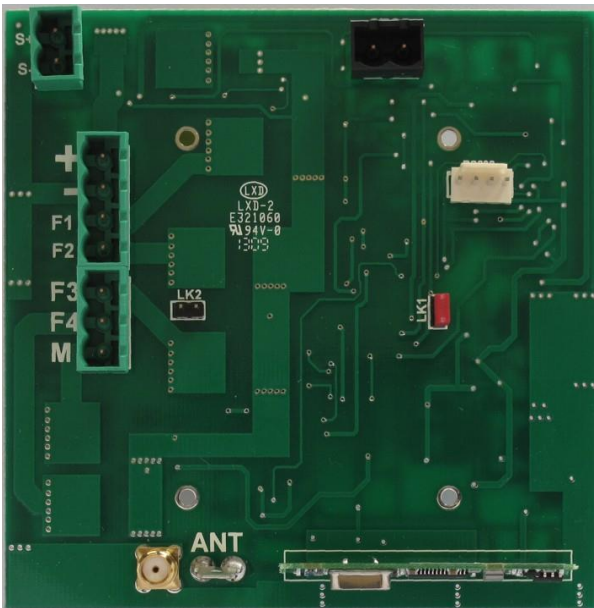
+ Positive 8-36V supply
 - Negative 0 Volts
 F1 to F4 Outputs to F1 through F4
 M Master Output
 STOP - STOP, when grounded shuts down the Receiver
 S+ S- Master Secondary for Safety solenoid connections etc.
 ANT Blade connector for internal antenna
 SMA Aerial connection for optional external antenna (internal antenna must be removed)
 LK1 Master Selection by Jumper (Parallel)
 LK2 Master Selection by Jumper (Continuous)
 Factory Settings 418/915MHz configured Parallel, 433.92MHz configured Continuous
 RS232 RS232 for Wired Remote and interface to access special programmes

COMPLIANCE

REG 10	EC Type-approval mark E11 037601 EC Type-approval No: e11/72/245*2009/19*7601*00
FCC	FCC CFR 47 Part 15.109 433.050MHz to 434.790MHz FCC CFR 47 Part 15.109 902.025MHz to 927.975MHz
IC	ICES-003 Issue 6. 433.050MHz to 434.790MHz ICES-003 Issue 6. 902.025MHz to 927.975MHz
CE	RED Directive ETSI EN 300 220-2 v3.2. ETSI EN 300 220-1 v3.1.1. ETSI EN 301 489-17 V3.1.1, ETSI EN 301 489-1 V2.1.1 433.050MHz to 434.790MHz
Australia/NZ	ETSI EN 300 220-2 v3.2.1 ETSI EN 301 489-1 V2.1.1 433.050MHz to 434.790MHz 915.025MHz to 927.975MHz
RoHS	Directive 2011/65/EU

Photo of PCB

Connector Side



Component Side

