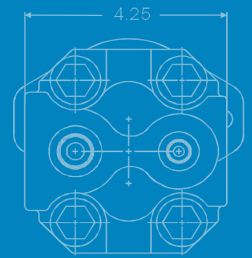
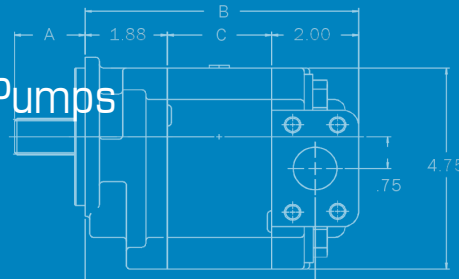


Medium Displacement Roller Bearing Pumps

5100 SERIES



Precision-Engineered Fluid Power Products

The Sensible Choice for Pumps & Motors



Live Floors
Winch Motors
Utility Line Trucks



Features

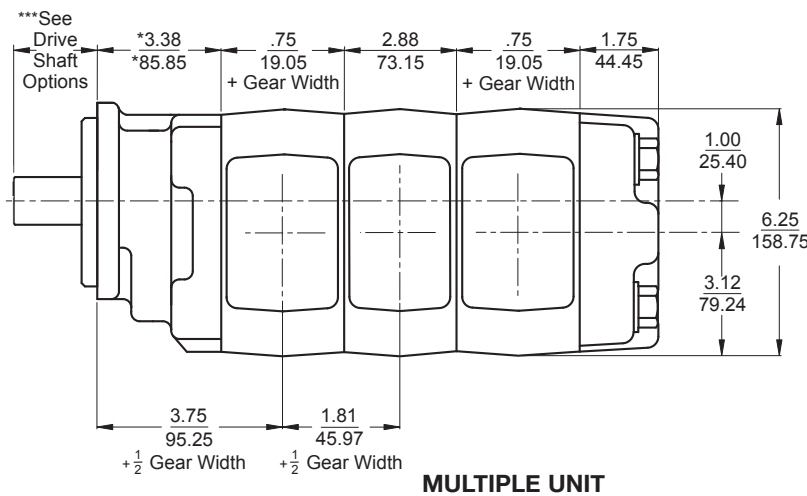
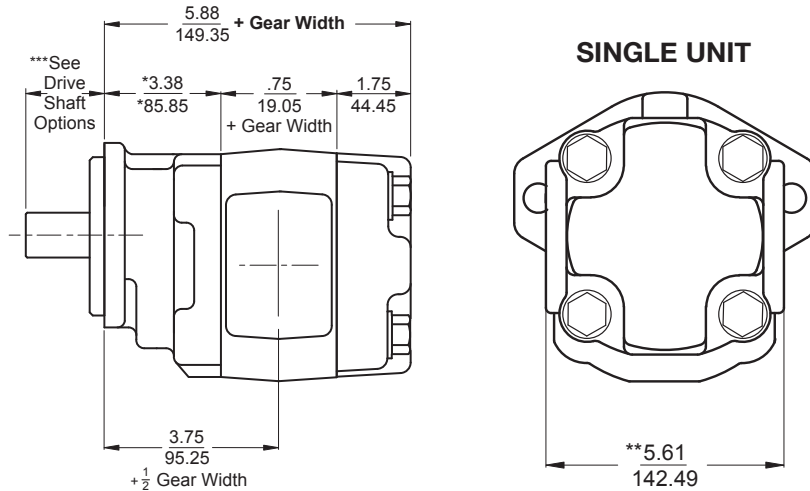
- Heavy duty roller bearing design in a Medium frame size
- Working pressure up to 3000 PSI
- Cubic inch displacements from 1.28 through 6.43
- Speeds up to 2400 RPM
- Flows up to 28 GPM
- Doweled and high strength cast iron construction
- High strength alloy steel gear and shaft sets
- Split flange & SAE ORB ports are available
- Pressure balanced wear plates maintain high pump efficiency throughout all operating ranges
- 100% factory tested





Pumps & Motors

Dimensional Data



Perenco is a leading manufacturer of high-pressure hydraulic gear/vane pumps and motors, flow dividers, intensifiers, and accessories. Available in a wide variety of sizes and configurations to suit your application needs.

Product Information

Pump / Motor

| Gear Size | Displ Cu.In | Theo. GPM 1000 RPM | Max RPM | Max PSI |
|-----------|-------------|--------------------|---------|---------|
| 0.50 | 1.29 | 5.58 | 2400 | 3000 |
| 0.75 | 1.93 | 8.35 | 2400 | 3000 |
| 1.00 | 2.57 | 11.13 | 2400 | 3000 |
| 1.25 | 3.22 | 13.94 | 2400 | 3000 |
| 1.50 | 3.86 | 16.71 | 2400 | 3000 |
| 1.75 | 4.50 | 19.48 | 2400 | 2500 |
| 2.00 | 5.15 | 22.29 | 2400 | 2500 |
| 2.25 | 5.79 | 25.06 | 2400 | 2500 |
| 2.50 | 6.43 | 27.84 | 2400 | 2500 |

Our Online Support is available 24/7/365 for your needs!

Email: support@permco.com

Call: (800) 626.2801



Perenco USA | 1500 Frost Road | P. O. Box 2068 | Streetsboro, Ohio 44241

