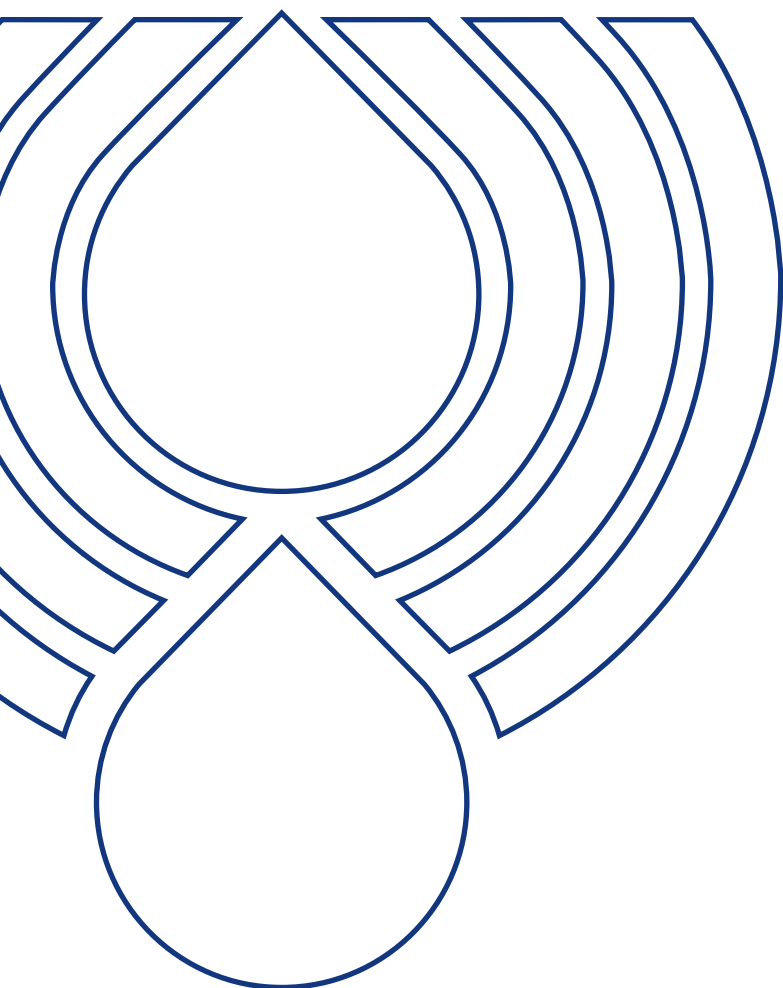


TANK ACCESSORIES

AIR BREATHERS AND FILLER PLUGS



PASSION TO PERFORM



TA 80 series

Metal oil filler and air breather filler cap



TA 80 GENERAL INFORMATION

Technical data

Air breathers & Filler plugs

Metal oil filler and air breather filler cap Flow rate up to 550 l/min

TA80 is a range of metal air breathers and filler caps for protection of the tank against the solid contamination contained into the air and filling of the fluid into the systems during the commissioning and maintenance procedures.

They are usually directly fitted on the tank. The robust design allows the use of these filters in any heavy-duty application.

Available features:

- Male threaded connections up to 3/4" and flanged connection with bayonet, for a maximum flow rate of 550 l/min
- Fine cellulose filtration, to get a good cleanliness level into the reservoir
- Pressurization valve with different setting, to guarantee a positive pressure into the tank in any application with metal or plastic tanks
- Padlock tab, to secure the air breather to the tank
- Filling basket, to hold the coarse contamination contained into the fluid and to diffuse the fluid flow into the tank

Common applications:

- Hydraulic systems
- Mobile machines
- Industrial equipment

Flow rate Δp 0.02 bar

TA80	Flow rate [l/min]	
	Filtration rating 03	10
	450	550

Materials

- Cover: Chrome Plated steel
- Filter element: Resin impregnate paper, Polyurethane
- Pressurization valve: Nylon (bodies), Galvanized steel (end cap - disk), Steel (spring), NBR (seals)
- Flange and anti-splash feature: Galvanized steel
- Seals: Cork Gasket, NBR
- Screws, Flange: Galvanized steel
- Chain, Ring: Brass
- Basket (only TA80B): Galvanized steel

Temperature

From -25 °C to +100 °C

Weight

L 80 mm 0.33 kg
L 150 mm 0.35 kg

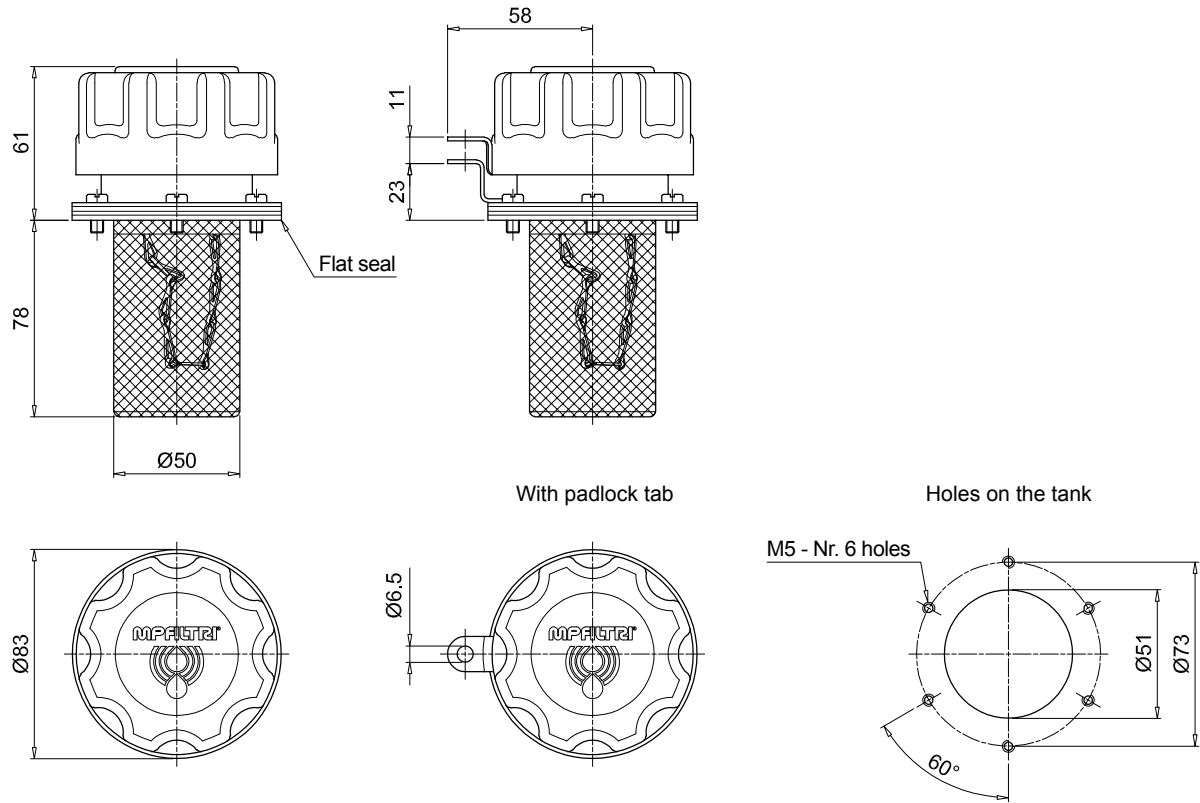


Designation & Ordering code

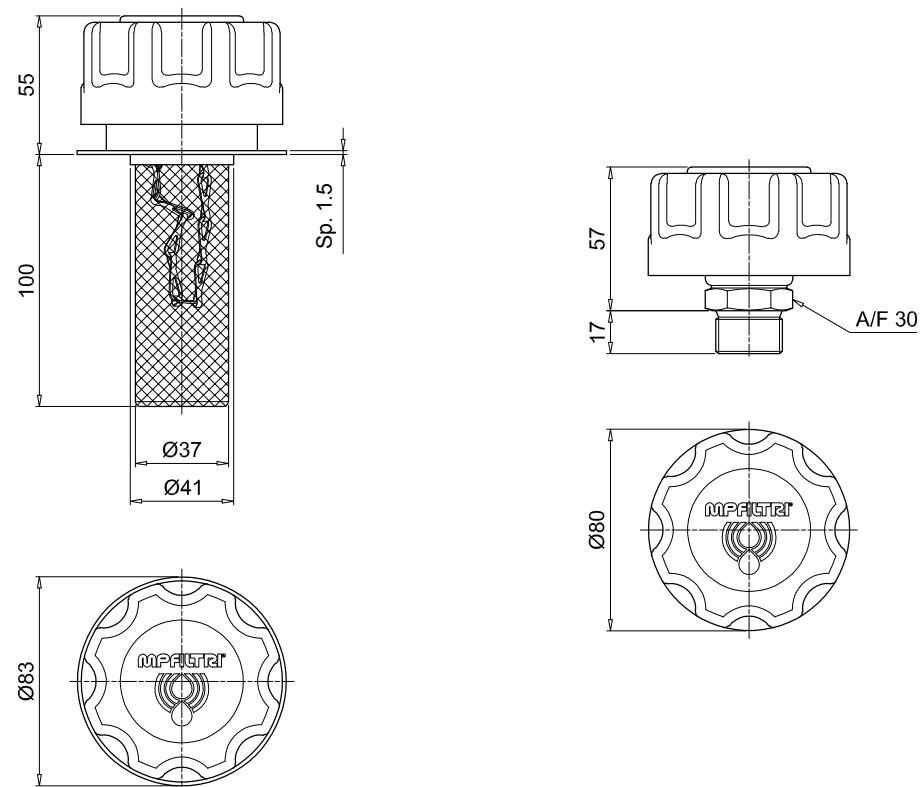
COMPLETE BREATHER PLUG - TA80

Series and size	Configuration example 1:								
TA80	TA80	B	03	A	0	L	1	P01	
	Configuration example 2:								
	TA80	G	10	A	2			P01	
Connections to the tank									
B Screwed flange with bayonet mount	G Thread G 3/4"								
D Weld flange with bayonet mount	N Thread 3/4" NPT								
Filtration rating	Connection:	B	D	G	N				
00 Without filter (blind filler plug)		•	•	•					
03 Resin impregnate paper 3 µm		•	•	•	•				
10 Polyuretane 10 µm		•	•	•					
Seals									
A NBR									
Valve	Filtration rating:	00	03	10					
0 Without valve		•	•	•					
1 0.3 bar pressurization valve		•	•	•					
2 0.7 bar pressurization valve		•	•	•					
9 With anti-splash feature				•					
Version	Connection:	B	D	G	N				
0 Standard		•	•						
L With padlock tab		•							
Basket	Connection:	B	D	G	N				
0 Without basket		•	•						
1 L = 80 mm		•							
3 L = 100 mm			•						
Execution									
P01 MP Filtri standard									
Pxx Customized									

TA80
Screwed flange



TA80
Weld flange
Threaded connection





WORLDWIDE NETWORK

HEADQUARTERS

MP Filtri S.p.A.
Pessano con Bornago
Milano - Italy
+39 02 957031
sales@mpfiltri.it

BRANCH OFFICES

ITALFILTRI LLC
Moscow - Russia
+7 (495) 220 94 60
mpfiltrirussia@yahoo.com

MP Filtri Canada Inc.
Concord, Ontario - Canada
+1 905 303 1369
sales@mpfiltricanada.com

MP Filtri France SAS
Villeneuve la Garenne
Paris - France
+33 (0)1 40 86 47 00
sales@mpfiltrifrance.com

MP Filtri Germany GmbH
St. Ingbert - Germany
+49 (0) 6894 95652 2-0
sales@mpfiltri.de

MP Filtri India Pvt. Ltd.
Bangalore - India
+91 80 4147 7444 / +91 80 4146 1444
sales@mpfiltri.co.in

MP Filtri (Shanghai) Co., Ltd.
Shanghai - Minhang District- China
+86 21 58919916 116
sales@mpfiltrishanghai.com

MP Filtri U.K. Ltd.
Bourton on the Water
Gloucestershire - United Kingdom
+44 (0) 1451 822 522
sales@mpfiltri.co.uk

MP Filtri U.S.A. Inc.
Quakertown, PA - U.S.A.
+1 215 529 1300
sales@mpfiltriusa.com

PASSION TO PERFORM



mpfiltri.com